

Test Unit Type GHTU8



- Portable test unit
- Designed as part of the Dupline®/Hi-Line irrigation concept
- Monitoring of Hi-Line channel status
- LCD-display
- 12-key tactile keyboard
- Supplied by Hi-Line
- Transmission latch
- Dual-group reading
- Analog BCD reading

Product Description

Test unit for Hi-Line modules and networks. Monitoring/control unit with LCD-display.

Highly recommended for Hi-Line system start-up, troubleshooting and maintenance.

Ordering Key

GHTU 8

Type: Hi-Line
Type no.

Type Selection

Supply

Supplied by Hi-Line

Ordering no. Test unit

GHTU8

Supply Specifications

Power supply

Reverse-polarity protection
Rated operational current

Supplied by Hi-Line

Yes
< 4.0 mA

Product Specifications

Input Connection	Hi-Line 3 mm Jack socket
Display Type Height of dots	2 x 16 characters LCD 5 mm
Keyboard No. of keys Channel keys Command keys	Tactile keys 12 1-8 « ↑ » « ↓ » (scroll up/down) « MODE », « ENTER »
Cable 1 GTU8 connector Dupline® connector Signal Common	GTU8 to Hi-Line 3 mm Jack plug 2 mini grips Red Black
Cable 2 GTU8 connector Dupline® connector	GTU8 to ASIC module 3 mm Jack plug 1 6/6 modular plug

General Specifications

Environment

Degree of protection IP 40
Pollution degree 3 (IEC 60664)
Operating temperature 0° to +50°C (+32° to +122°F)
Storage temperature -20° to +60°C (-4° to +140°F)

Humidity (non-condensing)

20 to 80%

Mechanical resistance

Shock 15 G (11 ms)
Vibration 2 G (6 to 55 Hz)

Dimensions (l x w x d)

145 x 90 x 28 mm

Material

ABS, grey

Weight

250 g

Mode of Operation

128-channel portable transmitter/receiver unit supplied by Hi-Line. The GHTU8 can be used anywhere along the two Hi-Line wires to monitor and control the status of the channels. This unit is highly recommended for start-up and maintenance work on systems.

The GHTU8 can operate in 4 different modes:

- Digital 1 group
- Digital 2 groups
- Edit Tx-latch
- Analog BCD

The start-up mode is "Digital 1 group".

To change mode:

1. Press « Mode »
2. Shift between mode options by pressing either « ↑ » or « ↓ ».
3. Select mode by pressing « Enter ».

Digital 1 group

Once connected to the Hi-Line, the display shows the status of channel group A. Active channels are indicated by their numbers. Pressing «1», «2» ... «8» will activate the corresponding Dupline channel in the selected channel group.

Pressing « ↑ » or « ↓ » chang-

es the channel group shown in the display.

Digital 2 groups

When the mode "Digital 2 groups" is selected, the user may select an additional channel group for permanent monitoring on the bottom line of the display. The channel status of the two selected groups can now be monitored, but changing the channel status through the keys «1» ... «8» only affects the channels displayed in the upper row of the display. Even so, pressing the « ↑ » or « ↓ » key only changes the channel group in the upper row of the display.

Edit Tx-latch

In this mode it is possible to "latch" the activation of one or more channels. This means that the GTU8 will continue transmitting on the channel(s) even though the corresponding transmission button is released.

To cancel the transmission on a channel, press the corresponding transmission button again.

The latched transmission will continue even if the channel group or mode is changed. In

order to change the status of a latched transmission, it is necessary to re-enter the "Edit Tx-latch" mode.

All the latched channels are reset to normal Dupline® operation whenever the GTU8 becomes disconnected from the Dupline®.

Analog BCD

In this mode it is possible to monitor values from analog transmitters that use the multiplexed 3 1/2-digit BCD format. The analog values are shown as BCD numbers within the range of -1999 to 1999.

By pressing « ↑ » or « ↓ » the group addresses can be changed. By keeping « Enter » pressed while activating « ↑ » or « ↓ », the multiplex address will change instead.

The display will show "Wait" until the selected multiplex address has been present on channels A1-A4.

If no analog value is transmitted on the selected address, the display will show: "None".

If the analog value on the selected address is not valid, the display will show: "Error". If the multiplex address "OFF"

is selected, the display will show the analog value transmitted on the selected channel groups disregarding the multiplex address.

"OFF" should be selected when the analog transmitters are used in non-multiplexed mode.

If a specific analog transmitter is to be tested, it is possible to set up its multiplex address in "Tx-latch" mode and then go back to the "Analog BCD" mode to monitor the value.

Note: If the bus signal is missing, the display will not turn on.

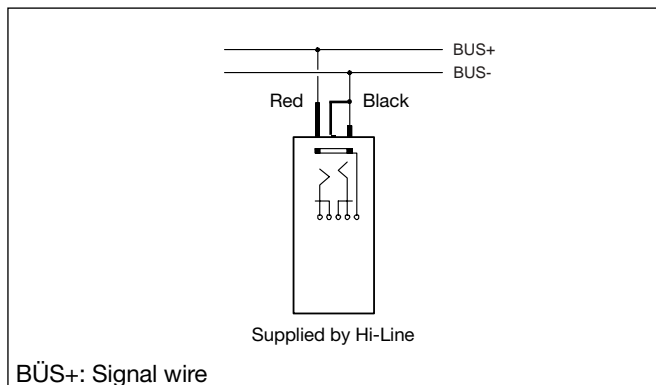
Warnings:

- Do not plug or unplug the Jack connector when the GHTU8 is connected to Hi-Line. This will cause a short-circuit of the two wires.

- Do not connect a standard GTU8 test unit to Hi-Line. It will cause immediate damage to the unit.

Note: The GHTU8 will not work on a normal Dupline net.

Wiring Diagram



Additional Information

Scope of supply

- 1 x Test unit
- 1 x Cable 1 (mini grips)
- 1 x Cable 2

- GHTU8
- GTU8 - GRIP - CAB
- GTU8 - ASIC - CAB