

# Proximity Magnetic Sensors Cylindrical Body, FM Series



- Cylindrical case
- Plastic or brass body
- M12, Ø 13,5 diameter
- NO, NC or CO output functions
- Front side switching

## Product Description

The cylindrical proximity magnetic sensors of the FM series are available in different versions with plastic or brass body, different dimensions and output contacts.

The models with output functions NO (Normally Open), or Change-over can be mounted directly on ferromagnetic supports.

## Ordering Key

**FM.C.3/S1**

Type \_\_\_\_\_  
 Output Function \_\_\_\_\_  
 Reed Contact Type \_\_\_\_\_  
 Special Version \_\_\_\_\_

## Type Selection

Output function	Dimensions	Reference
NO	Ø 9,3 mm M12 x 1	FM.A.3 FM.A.3/S5
NC	Ø 9,3 mm M12 x 1	FM.C.3 FM.C.3/S1
Change-over	Ø 9,3 mm	FM.S.1

## General specification

<b>Case</b>	
FM.A.3 FM.C.3 FM.S.1	Plastic
FM.A.3/S5 FM.C.3/S1	Brass
<b>Protection degree</b>	IP67
<b>Operating temperature</b>	-25 to +75 °C
<b>Output connection</b>	PVC Cable

## Electrical specifications

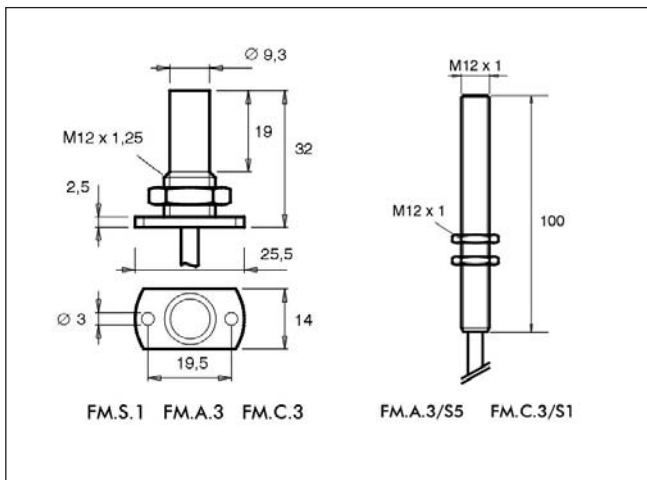
Contacts	3	S.1
Max switching voltage	500 Vac	100 Vac
Max switching current	0,5 A	0,25 A
Max switching power	5 VA	100 VA

## Operating distance

Magnetic Units	CL.10	CL.11	CL.18	CL.20/S1	CL.20/S3	CL.23	CL.31
FM.A.3, FM.S.1	11	25	9	20	19	15	25
FM.C.3	8	20/4 *	7	17/2 *	16/1 *	12/05 *	20/4 *
FM.A.3/S5	9	23	7	18	17	13	23
FM.C.3/S1	6	18/2 *	5	15/2 *	14/1 *	10/1 *	18/2 *

\* Left: operating distance; right: closing contact distance.

## Dimensions



## Wiring Diagrams

