

# Proximity Magnetic Sensors Cylindrical Body, FMP Series



- Cylindrical case
- Threaded plastic body
- M12 diameter
- NO, NC, Bistable or CO output functions
- Front side switching

## Product Description

The sensors of the FMP series are housed in a plastic threaded body. The different versions have NO, NC, Bistable or Change-over output contacts. The NO and

Change-over versions can also be mounted directly on ferromagnetic supports. The FMP is provided with two plastic nuts.

## Ordering Key

**FMP.A.7**

Type \_\_\_\_\_  
 Output Function \_\_\_\_\_  
 Reed Contact Type \_\_\_\_\_

## Type Selection

Output function	References
NO	FMP.A.7 FMP.A.9
NC	FMP.C.7
Change-over	FMP.S.1
Bistable	FMP.B.2

## General specification

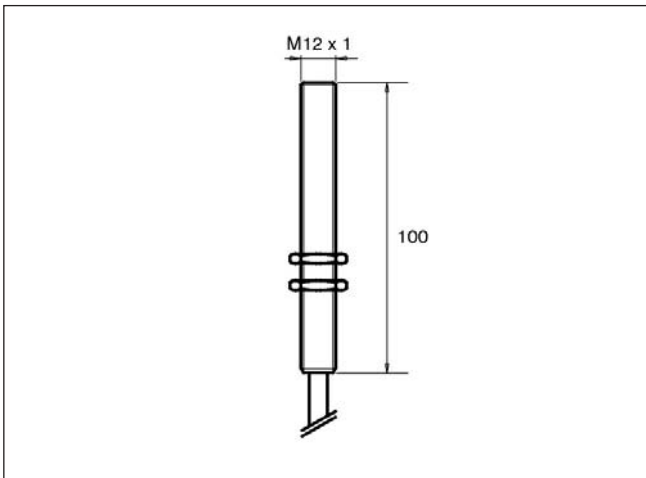
External dimensions	M 12 X 1	Protection degree	IP67
Operating distance	8÷ 27 mm	Operating temperature	-25 to +75°C
Case	Plastic	Output connection	PVC Cable

## Electrical specifications

Contacts	2	7	9	S.1
Max switching voltage	250 Vac	250 Vac	230 Vac	100 Vac
Max switching current	3 A	0,5 A	1 A	0,25 A
Max switching power	120 VA	10 VA	60 VA	5 VA



## Dimensions



## Wiring Diagrams

