

Safety Light Curtains

Finger resolution SB4B-14 Series

CARLO GAVAZZI



- Safety Category 4
- Resolution 14 mm (finger)
- Protected height 161-1190 mm
- External Device Monitoring (EDM)
- Fixed Blanking and Floating Blanking
- Auto/Manual restart selectable
- Status/failure diagnosis by LED's
- Easy alignment and installation
- Compact profile
- Approvals:



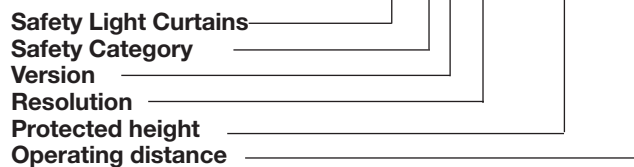
Product Description

Safety category 4 light curtains according to IEC 61496-1 and IEC 61496-2. The SB4B-14 series is featured by finger resolution and is provided with External Device Monitoring which allows to utilize these light curtains without external safety control unit. The Blanking function -

Fixed or Floating mode selectable - is used in those applications where material passage or mechanical obstacle presence must not cause machine interruption. The dip-switches placed in the slot provided in the receiving unit allow quick and safe configuration.

Ordering Key

SB4B 14 161 D6



Type Selection

Protected height (mm)	Overall height (mm)	Number of beams	Response time (ms)	Ordering no.
161 (6.3 in.)	256	21	21	SB4B14161D6
308 (12.1 in.)	403	42	28	SB4B14308D6
455 (17.9 in.)	550	63	35	SB4B14455D6
602 (23.7 in.)	697	84	41	SB4B14602D6
749 (29.5 in.)	844	105	48	SB4B14749D6
896 (35.3 in.)	991	126	55	SB4B14896D6
1043 (41.1 in.)	1138	147	62	SB4B141043D6
1190 (46.9 in.)	1285	168	68	SB4B141190D6

General Specifications

Safety category	type 4	Resolution	14 mm
Operating distance	0,2.....6 m	Functions	EDM fixed / floating BLANKING, automatic / manual restart

Electrical Specifications

Power supply	24 Vdc \pm 20%	Light emission	Infrared (880 nm)
Emitter consumption	55 mA max	Output function	2 PNP
Receiver consumption	125 mA max (no load)	Output current	0.5 A max (single output)

Specifications are subjected to change without notice (10.07.06)



Environmental Specifications

Operating temperature

-10 ÷ + 55°C

Storage temperature

-25 ÷ + 70°C

Mechanical Specifications

Receiver connection

M 12 8-poles
Standard cable length
3, 5 or 10 m

Protection degree

IP 65

Housing material

Painted aluminium
(yellow Ral 1003)

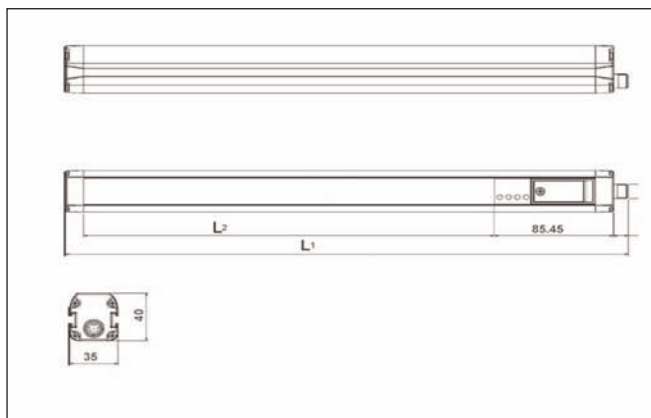
Emitter connection

M 12 4-poles connector
Standard cable length
3, 5 or 10 m

Weight

1.2 Kg max/m of total height

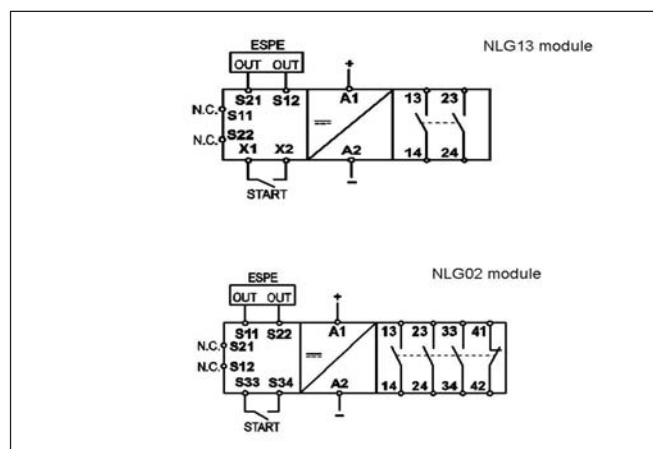
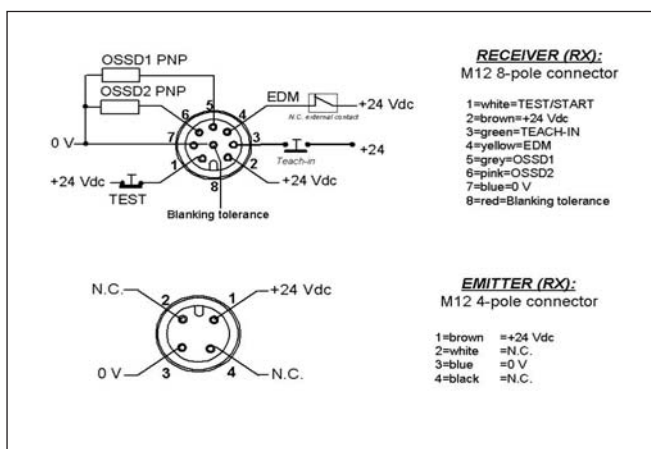
Dimensions



MODEL	L1 (mm)	L2 (mm)
SB4y-14/161-D6	256	147
SB4y-14/308-D6	403	294
SB4y-14/455-D6	550	441
SB4y-14/602-D6	697	588
SB4y-14/749-D6	844	735
SB4y-14/896-D6	991	882
SB4y-14/1043-D6	1138	1029
SB4y-14/1190-D6	1285	1176

y = EDM/Blanking/Cascade versions

Wiring Diagrams



Specifications are subjected to change without notice (10.07.06)