

Safety Light Curtains SB4-T/L/S Series

CARLO GAVAZZI



- Safety Category 4 according to EN 61496-1 and /-2
- Integrated muting sensors
- Self-monitoring
- Failure alarm / diagnosis by LED
- Adjustable muting arms
- Quick installation and alignment
- Compact profile
- Approvals:



Product Description

Safety category 4 light curtains, according to EN 61496-1 /-2.

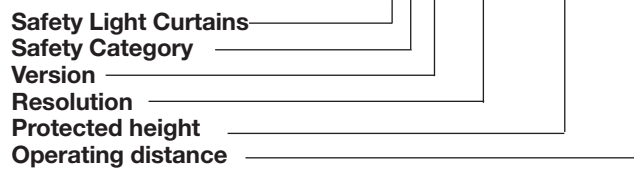
The SB4-T/L/S series, are optoelectronic multibeam devices that can be used to protect working area around machines, robots, and automatic systems which can become dangerous for operators that get in touch, even accidentally, with moving parts.

The SB4-T/L/S series satisfy all applications that require the Muting function thanks to pre-assembled, pre-cabled and pre-aligned Muting sensors.

T-shaped models are available with integrated sensors for bidirectional Muting, L-shaped models for unidirectional Muting and linear models without integrated Muting sensors.

Ordering Key

SB4T-415/815-D3



Type Selection

| Protected height | Resolution (mm) | Number of beams | Operating distance (m) | Muting sensors | Ordering no. |
|------------------|-----------------|-----------------|------------------------|------------------------|------------------|
| 515 | 515 | 2 | 0,5....3 | integr. bidirectional | SB4T-515/515-D3 |
| 815 | 415 | 3 | 0,5....3 | integr. bidirectional | SB4T-415/815-D3 |
| 415 | 515 | 2 | 0,5....3 | integr.unidirectional | SB4L-515/515-D3 |
| 815 | 415 | 3 | 0,5....3 | integr. unidirectional | SB4L-415/815-D3 |
| 415 | 515 | 2 | 0,5....25 | external | SB4S-515/515-D25 |
| 815 | 415 | 3 | 0,5....25 | external | SB4S-415/815-D25 |

General Specifications

| | | | |
|--------------------|-------------------------|---------------------|--|
| Safety category | type 4 | Auxiliary functions | Muting, Override, EDM, Auto/Manual reset |
| Operating distance | See type selection tab. | Response time | 14 ms |

Electrical Specifications

| | | | |
|----------------------|------------------|-----------------|---------------------------|
| Power supply | 24 Vdc \pm 20% | Light emission | Infrared (880 nm) |
| Emitter consumption | 70 mA max | Output function | 2 PNP |
| Receiver consumption | 100 mA max | Output current | 0.5 A max (single output) |

Specifications are subjected to change without notice (10.07.06)

Environmental Specifications

Operating temperature

-10 ÷ + 55°C

Storage temperature

-25 ÷ + 70°C

Mechanical Specifications

Receiver connection

M 12 8-poles + m 12-5 poles connector
Standard cable length 3, 5 or 10 m

Protection degree

IP 65

Housing material

Painted aluminium (yellow Ral 1003)

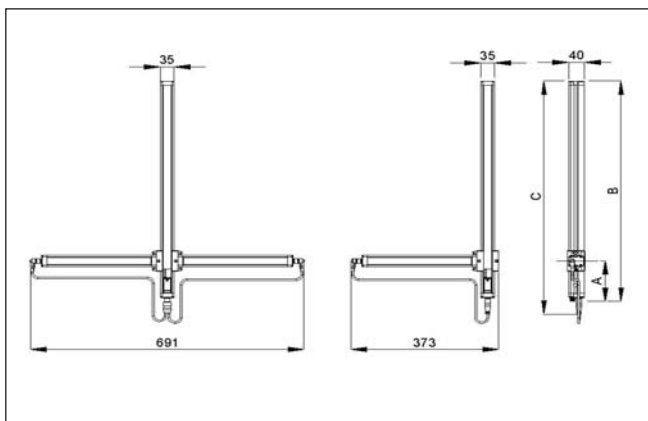
Emitter connection

M 12 4-poles connector
Standard cable length 3, 5 or 10 m

Weight

1.2 Kg max/m of total height

Dimensions



| MODEL | A (mm) | B (mm) | C (mm) |
|------------------|-----------|--------|--------|
| SB4T-515/515-D3 | 120...260 | 653 | 690 |
| SB4T-415/615-D3 | 120...260 | 953 | 990 |
| SB4L-515/515-D3 | 120...260 | 653 | 690 |
| SB4L-415/615-D3 | 120...260 | 953 | 990 |
| SB4S-515/515-D25 | - | 653 | 690 |
| SB4S-415/615-D25 | - | 953 | 990 |

Wiring Diagrams

