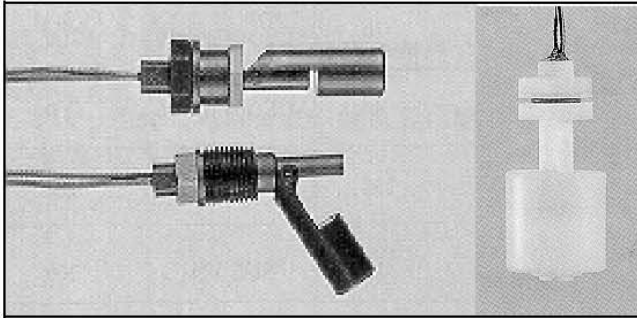


Level Sensors

Electromechanical Float Switches

Types FS, Horizontal and Vertical Mount



Float switches for liquid level sensing
 Horizontal or vertical mount
 Polypropylene, nylon, or polysulfone housings
 Maximum switching voltage: 200 VDC or 240 VAC
 Maximum switching current: 0.5 A (SPST)
 Suitable for specific gravities > 0.75

Product Description

Economical electromechanical float switches for liquid level sensing. Various mounting configurations and housing materials to fit most

applications. Customer selectable normally open or normally closed switch function with switching capacity up to 50 W.

Ordering Key

FSH -2 4

Type _____
 Mounting attitude _____
 Mounting type _____
 Housing material _____

Type Selection

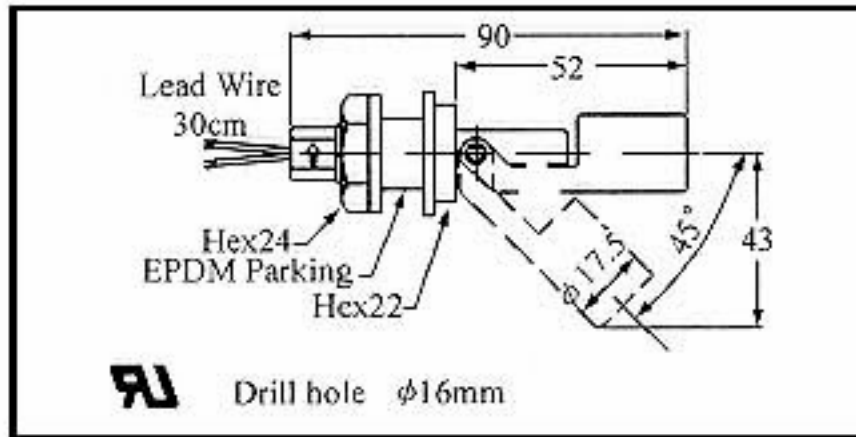
Housing Material	Horizontal mount, Ø16 mm compression	Horizontal mount, 1/2" NPT thread	Vertical mount, 1/8" PF thread
Polypropylene	FSH-21	FSH-31	FSV-31
Nylon	FSH-24	FSH-34	FSV-34
Polysulfone	FSH-25	FSH-35	FSV-35

Specifications

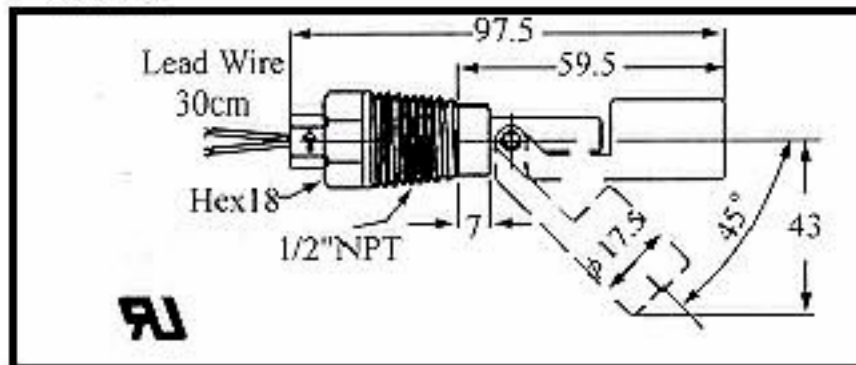
Rated maximum switching voltage	200 VDC, 240 VAC	Connection	2 wires, XLPE 22 AWG x 12 in.
Rated maximum current	0.5 A Switching 1.0 A Carrying	Suitable specific gravity	>0.75 >0.80 >0.85
Rated max. switching capacity	50 W (VA)	Housing material, color	Polypropylene, black Nylon, grey Polysulfone, blue
Switch type, function	Reed, SPST	Approvals	UL, CE, ABS
Rated operating temperature	-4 to +176°F FS...1 types -4 to +250°F FS...4 types -4 to +250°F FS...5 types	Weight	35 g FSH..1 types 38 g FSH..4 types 40 g FSH..5 types 18 g FSV-.. types
Rated operating pressure	57 psi FS...1 types 28 psi FS...4/5 types		

Specifications are subject to change without notice

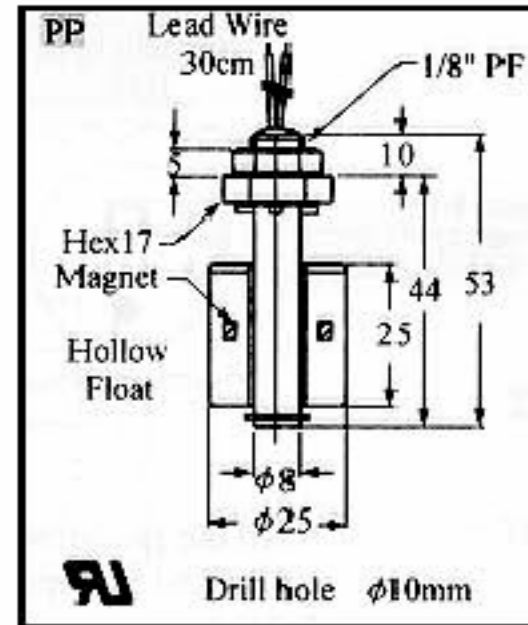
Dimensions



FSH-2.



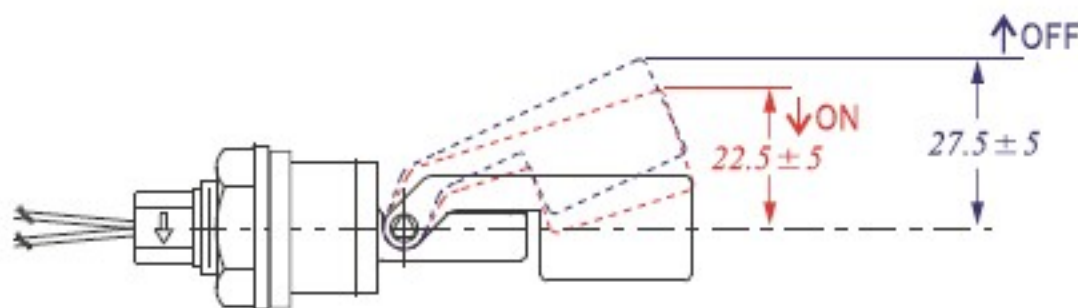
FSH-3.



FSV-3.

Installation Hints

FSH... types Normally open or normally closed operation is selectable by orientation of the sensor in the tank. Normally open switching is obtained when the arrow on the mounting is pointed up, and vice versa, normally closed when the arrow is downward.



FSV... types Normally open or normally closed operation is selectable by inversion of the float on the shaft. The switches are shipped normally open unless otherwise indicated.

