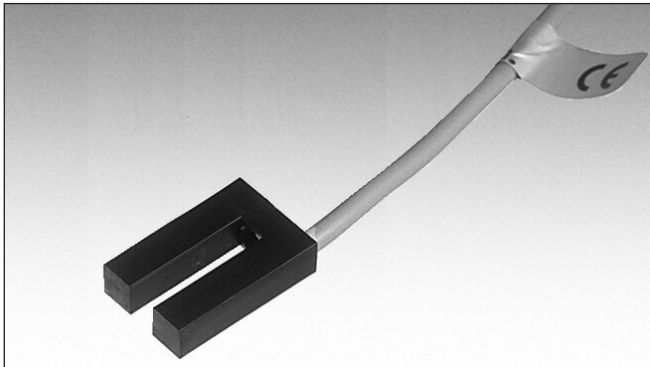


# Magnetic Slot Sensors IM Series



- Slot case
- Plastic body
- NC or Change-over output function
- Small dimensions

## Product Description

In IM type sensors the minimum air gap from ferromagnetic parts is 10 mm; the minimum distance between the fixing holes of two contiguous

switches is 7 cm. The optimum dimensions concerning soft iron actuators is 15 x 40 x 1.

## Ordering Key

**IM.S.1**

Type \_\_\_\_\_  
 Output Function \_\_\_\_\_  
 Reed Contact Type \_\_\_\_\_

## Type Selection

Output connection	Reference
NC	IM.C.3
Change-over	IM.S.1

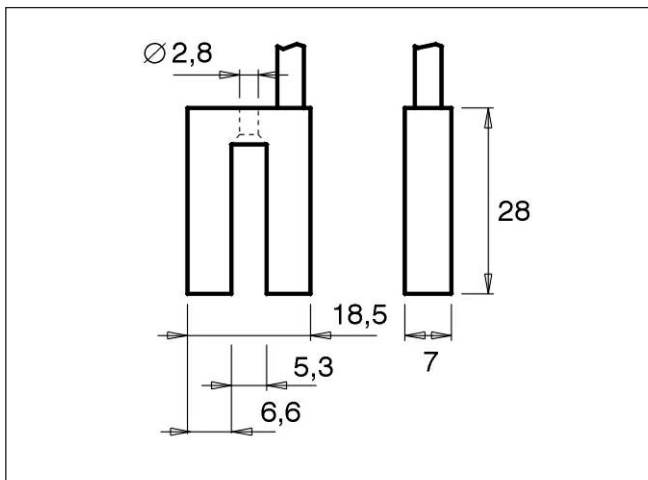
## General specification

Case	Plastic
Protection degree	IP67
Operating temperature	-25 to +75 °C
Output connection	PVC Cable

## Electrical specifications

Contacts	3	S.1
Max switching voltage	500 Vac	100 Vac
Max switching current	0,5 A	0,25 A
Max switching power	10 VA	5 VA

## Dimensions



## Wiring Diagrams

