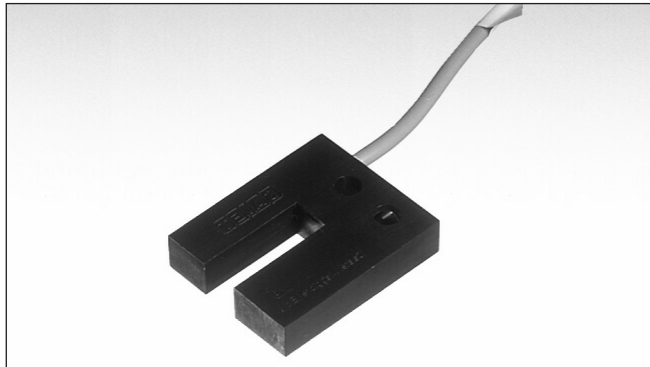


Magnetic Slot Sensors ISY Series



- Slot case
- Plastic body
- NC or Change-over output function
- Min. air gap from ferromagnetic parts 10 mm

Product Description

In ISY type sensors the minimum air gap from ferromagnetic parts is 10 mm; the minimum distance between the fixing holes of two contiguous

switches is 10 cm. The optimum dimensions concerning soft iron actuators is 20 x 50 x 1 for ISY models.

Ordering Key

ISY.C.3

Type _____
 Output Function _____
 Reed Contact Type _____

Type Selection

| Output connection | Reference |
|-------------------|-----------|
| NC | ISY.C.3 |
| Change-over | ISY.S.1 |

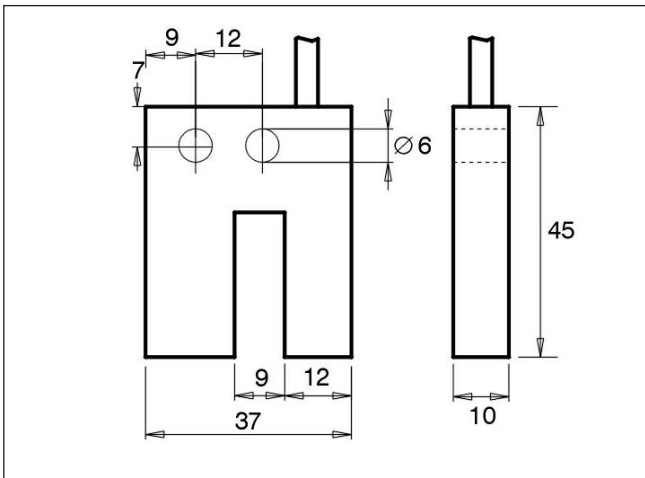
General specification

| | |
|-----------------------|---------------|
| Case | Plastic |
| Protection degree | IP67 |
| Operating temperature | -25 to +75 °C |
| Output connection | PVC Cable |

Electrical specifications

| Contacts | 3 | S.1 |
|-----------------------|---------|---------|
| Max switching voltage | 500 Vac | 100 Vac |
| Max switching current | 0,5 A | 0,25 A |
| Max switching power | 10 VA | 5 VA |

Dimensions



Wiring Diagrams

