

# Rectangular Safety Magnetic Sensors

## SMS-01

## SMS-02



- Safety magnetic sensors for applications up to Safety Category 4 in conformity with EN 954-1
- 1NO + 1NC output functions
- Cable output connection
- Rectangular case
- Multiple Flux coding

### Product Description

The safety magnetic sensors are particularly addressed to the safety gates that allow the entry to machines with dangerous movements and their risk category can be 4 (EN 954-1). The models SMS-01 and SMS-02 are provided with two contacts, NO and NC.

### Ordering Key

**SMS-01**

Safety Magnetic sensor  
Contact Type

### Type Selection

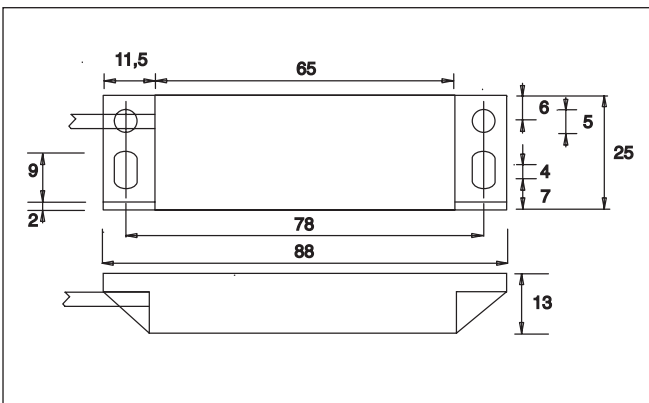
Operating Distance	Ordering no.
10 mm	SMS-01
20 mm	SMS-02

### Specifications

Operating Distance ON	
SMS-01	10 ± 3 mm
SMS-02	20 ± 3 mm
Release Distance OFF	
SMS-01	15 ± 3 mm
SMS-02	30 ± 5 mm
RESET Distance	
SMS-01	20 ± 3 mm
SMS-02	35 ± 5 mm
Suitable Magnetic Unit	CLS
Output Function	NO+NC

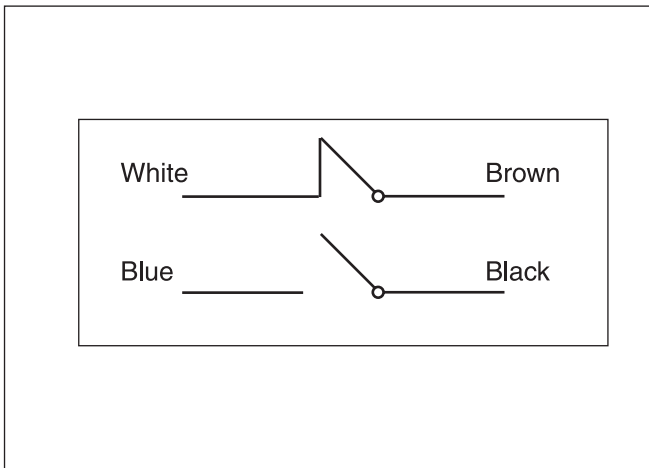
Max Switching Voltage	100 Vac
Max Switching Current	0.25 A
Max Switching Power	5 VA
External Dimensions	88x25x13 mm
Protection Degree	IP 67
Operating Temperature	-25 to +70 °C
Storage Temperature	-25 to +70 °C
Output Connection	Cable (PVC, AWG 26, L=2m 4x0.15 mm <sup>2</sup> )
Case	Plastic

### Dimensions

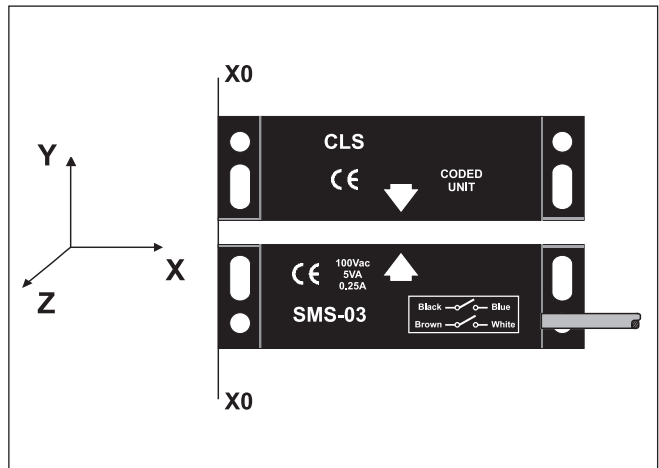


Specifications are subject to change without notice (10.01.04)

## Wiring Diagrams



## Operating directions



## Application

