

Cylindrical Safety Magnetic Sensors SMS-A2P-10



- Safety magnetic sensors for applications up to Safety Category 3 in conformity with EN 954-1
- 1NO output functions
- Cable output connection
- Multiple Flux coding

Product Description

The SMS-A2P-10 is designed in conformity with EN 292-1, EN 292-2, EN 60204-1, EN 954-1 and EN 1088. It is characterized by multiple flux coding and is suited for applications up to safety Category 3.

Ordering Key

SMS-A2P-10

Safety Magnetic Sensor _____
 Diameter _____
 Case Material _____
 Contact Type _____

Type Selection

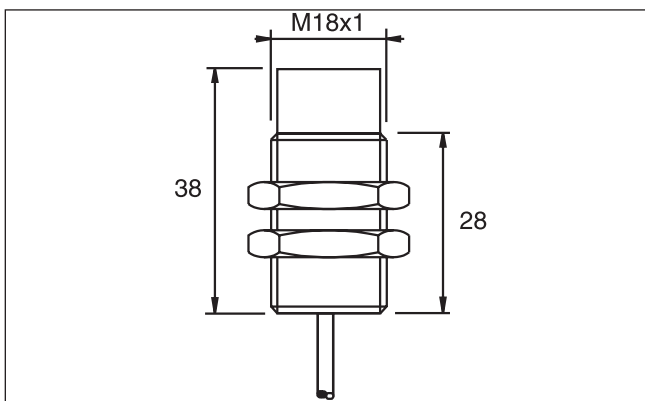
Output function	Application Safety Category	Ordering no.
1NO safety output	3	SMS-A2P-10

Specifications

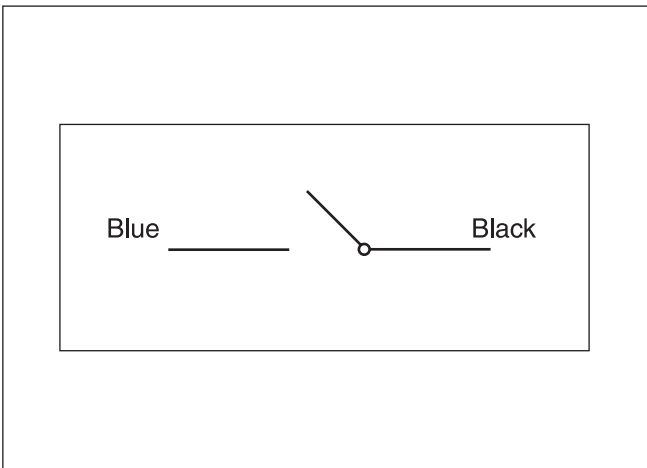
Operating Distance ON	16 ± 4 mm
Release Distance OFF	20 ± 6 mm
RESET Distance	-
Suitable Magnetic Unit	CLS-A2
Output Function	1NO
Max Switching Voltage	100 Vac
Max Switching Current	0.25 A
Max Switching Power	5 VA

External Dimensions	M18x1
Protection Degree	IP 67
Operating Temperature	-25 to +70 °C
Storage Temperature	-25 to +70 °C
Output Connection	Cable (PVC, AWG 26, L=2m L=2m4x0.35 mm ²)
Case	Plastic

Dimensions



Wiring Diagrams



Operating directions

