

Solid State Relays Accessories Type RHS... Heatsink Assemblies

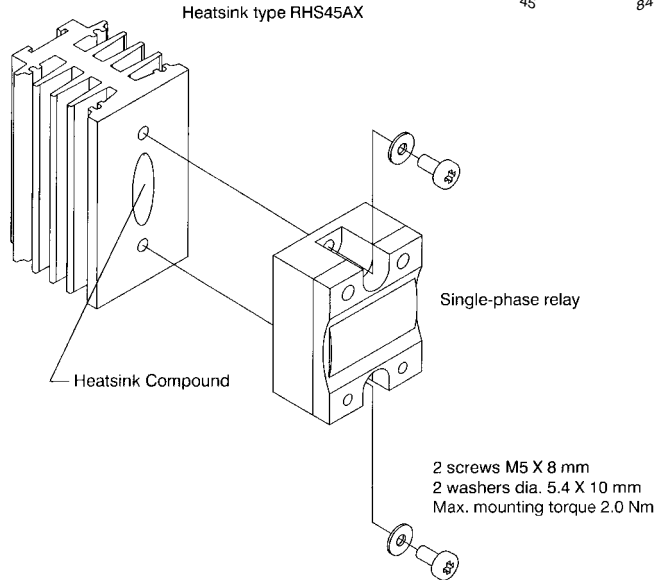
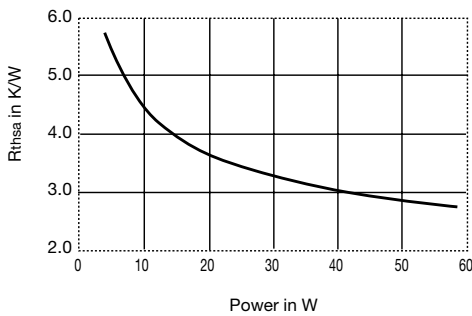
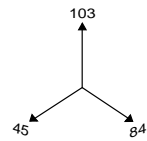


RHS45A

Heatsink assembly with DIN-rail adapter for 1-phase SSRs. Type RHS45A is a complete heatsink kit not including the SSR. A 40x40 mm fan may be mounted onto the heatsink.



DIN rail adapter

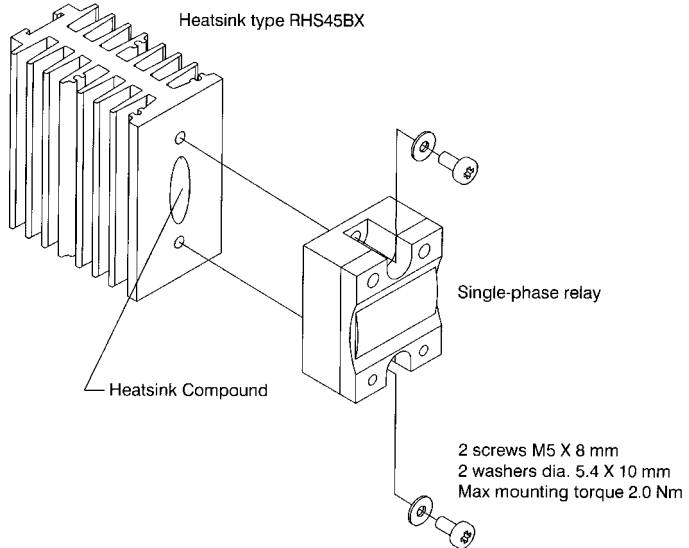
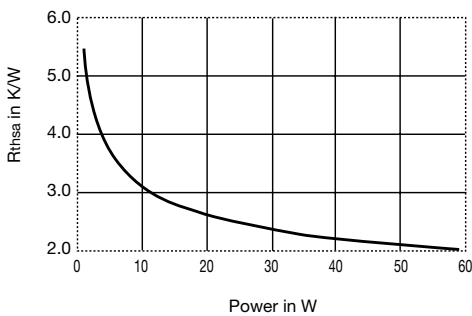
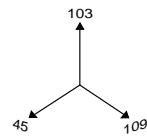


RHS45B

Heatsink assembly with DIN-rail adapter for 1-phase SSRs. Type RHS45B is a complete heatsink kit not including the SSR. A 40x40 mm fan may be mounted on to the heatsink.



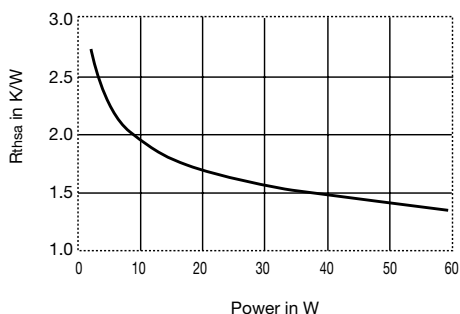
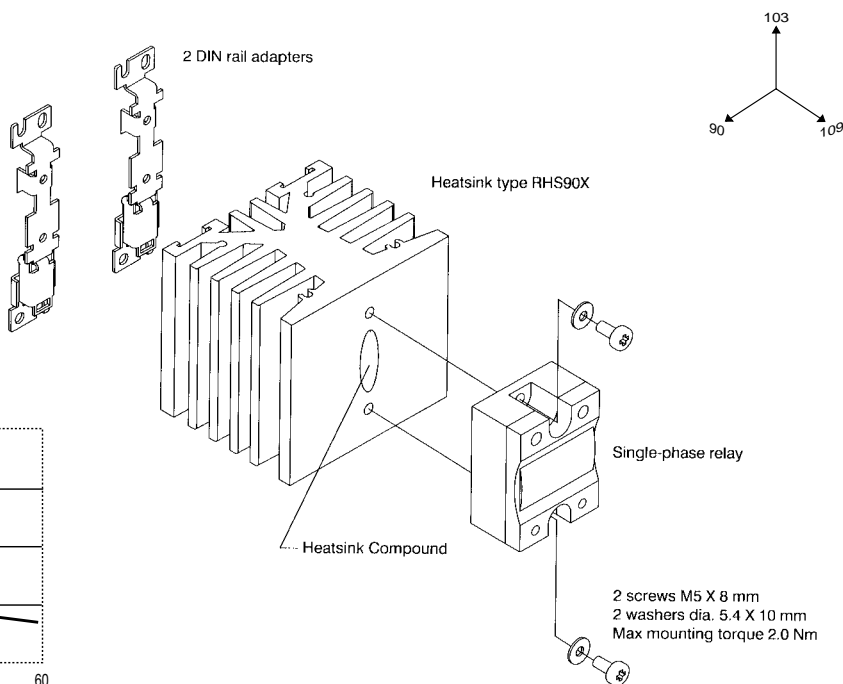
DIN rail adapter



Heatsink Assemblies (cont.)

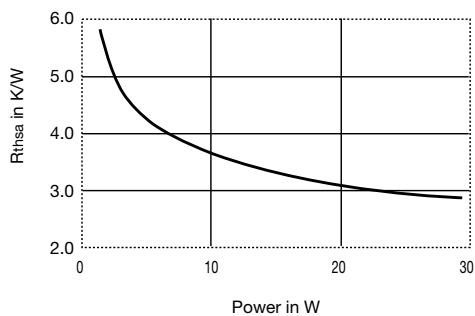
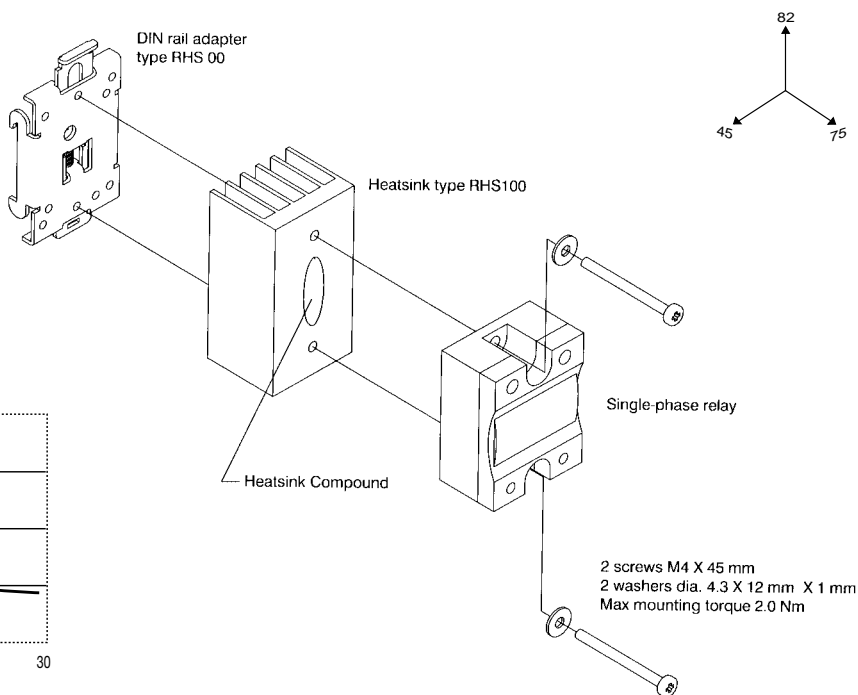
RHS90

Heatsink assembly with DIN-rail adapter for 1-phase SSRs. Type RHS90 is a complete heatsink kit not including the SSR. A 60x60 mm fan may be mounted onto the heatsink.



RHS100

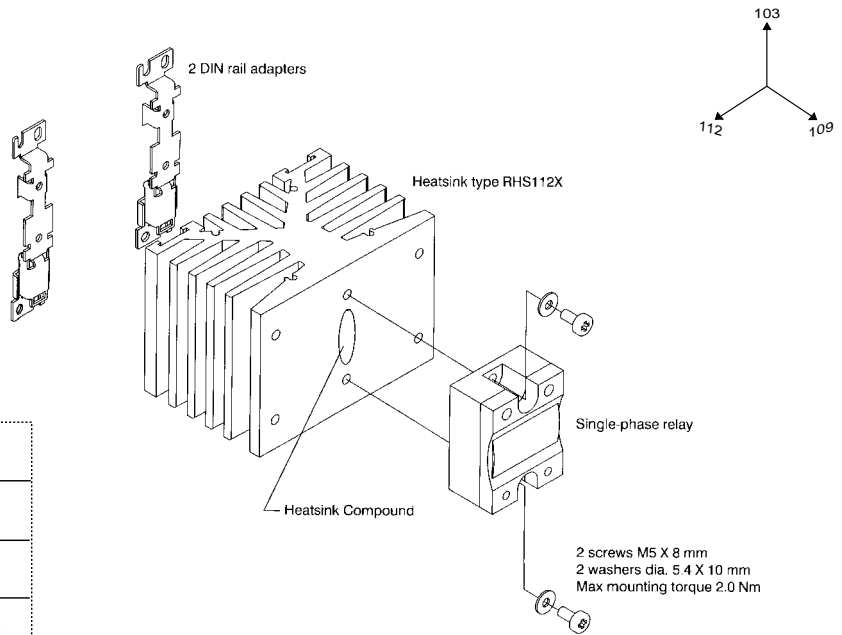
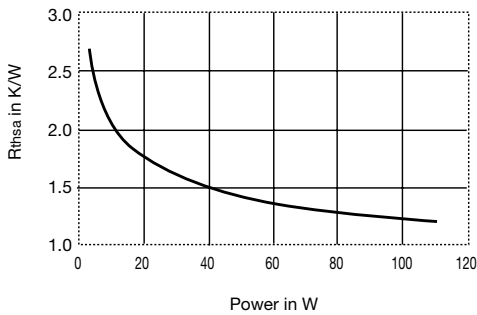
Heatsink assembly with DIN-rail adapter for 1-phase SSRs. Type RHS100 is a complete heatsink kit not including the SSR.



Heatsink Assemblies (cont.)

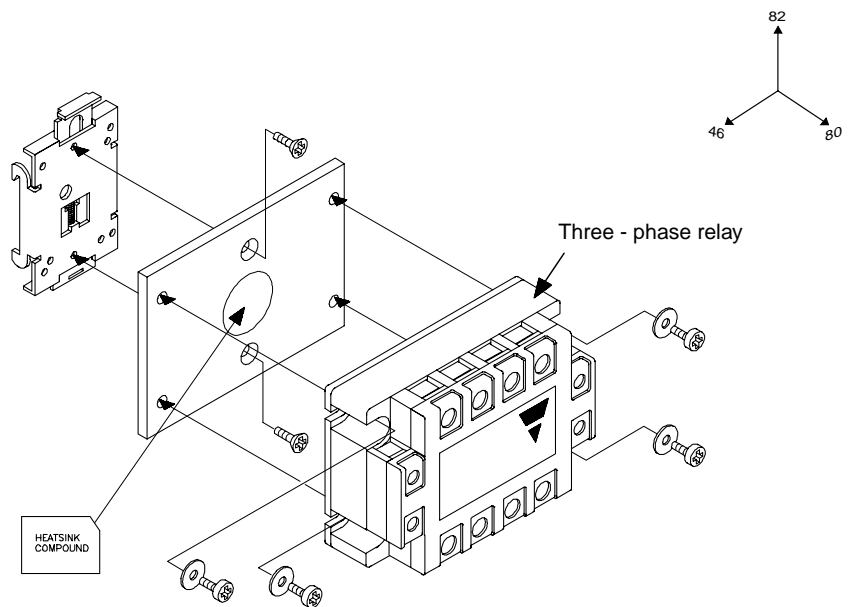
RHS112

Heatsink assembly with DIN-rail adapter for 1-phase and 3-phase SSRs. Type RHS112 is a complete heatsink kit not including the SSR. A 60x60 mm fan may be mounted onto the heatsink.



RHS300 - 5 K/W

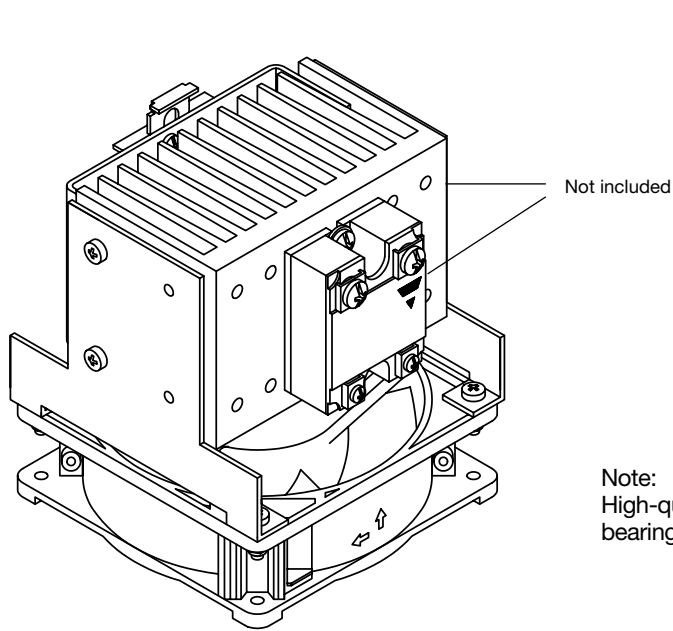
Heatsink assembly with DIN-rail adapter for 3-phase SSRs. Type RHS300 is a complete heatsink kit not including the SSR.



Heatsink Assemblies (cont.)

Fan Kit RHS 301 F 115, RHS 301 F 230

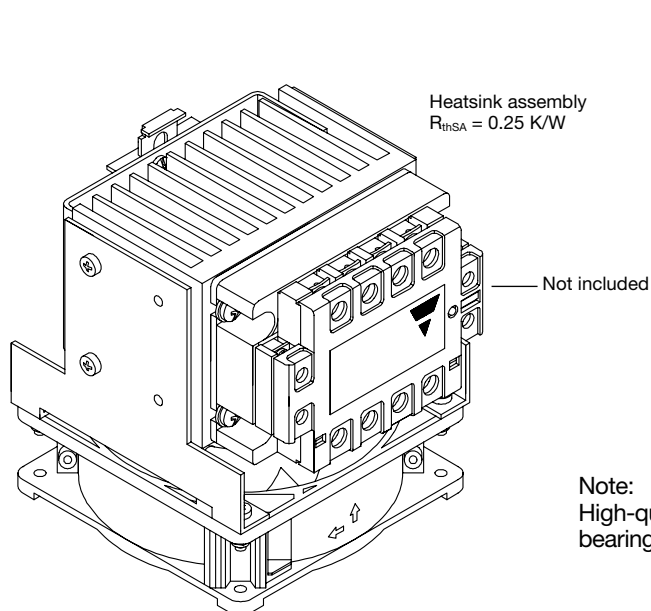
Not including the SSR and the RHS 301 heatsink assembly shown on the drawing. $R_{th\ S-A}$ 0.25 K/W.



Note:
High-quality fan with full metal bearings.

RHS 301 F 115/230 C (115/230 VAC fan supply)

Heatsink assembly with DIN-rail adapter for 3-phase SSRs. Type RHS 301 F is a complete heatsink kit for 3-phase industrial SSRs. $R_{th\ S-A}$ 0.25 K/W.



Heatsink assembly
 $R_{thSA} = 0.25\ K/W$

Note:
High-quality fan with full metal bearings.

Heatsink Assemblies (cont.)

Type RHS 301

Heatsink assembly for 1-phase and 3-phase SSRs.

