

# ENGLISH

## LDI 35

### OPERATING INSTRUCTIONS

• General features _____	2
• Technical features _____	3
• Installation _____	10
• Preliminary operations _____	12
• Front panel description _____	13
• Operating mode _____	15

#### **Important:**

We suggest you keep the original packing for a further shipping of the instrument.

In order to guarantee a correct use of the instrument, we recommend the user to carefully read the present instruction manual.

**CARLO GAVAZZI Instruments****Multi-range  $\mu$ P-based panel indicators/controllers for voltage, current and temperature measurements****LDI35.AV0 / LDI35.AV2 / LDI35.CF**

rev.0

**Operating instructions****Important:**

We suggest you keep the original packing for a further shipping of the instrument.

In order to guarantee a correct use of the instrument, we recommend the user to carefully read the present instruction manual.

---

**GENERAL FEATURES**

---

**The most important features are:**

- measurement of the input value;
- display of the measured value;
- one control point of the measured value (if available);
- display of the maximum measured value.

**The main programming parameters are:**

- input selection;
- programming of: electrical scale, displayed scale and decimal point position;

- selection of displaying mode;
- programming of all the parameters relating to the set-point (if available);
- programming of all the parameters relating to the digital filter.

---

## **TECHNICAL FEATURES**

---

### **ACCURACY (VOLTAGE AND CURRENT)**

**LDI35.AV0:**  $\pm 0.3\%$  F.S.,  $\pm 1$  dgt (@  $25^{\circ}\text{C} \pm 5^{\circ}\text{C}$ , R.H.  $\leq 60\%$ );

**LDI35.AV2:**

VDC and ADC:  $\pm 0.3\%$  F.S.,  $\pm 1$  dgt (@  $25^{\circ}\text{C} \pm 5^{\circ}\text{C}$ , R.H.  $\leq 60\%$ );

VAC and AAC:  $\pm 0.5\%$  F.S.,  $\pm 1$  dgt (@  $25^{\circ}\text{C} \pm 5^{\circ}\text{C}$ , R.H.  $\leq 60\%$ , 50/60Hz, 5 to 100% F.S.).

### **ACCURACY (LDI35.CF: RTD/ $\Omega$ TEMPERATURE)**

Pt100/Pt1000:  $\pm 0.3\%$  F.S.,  $\pm 2$  dgt (@  $25^{\circ}\text{C} \pm 5^{\circ}\text{C}$ , R.H.  $\leq 60\%$ );

Ni100:  $\pm 0.5\%$  F.S.,  $\pm 2$  dgt (@  $25^{\circ}\text{C} \pm 5^{\circ}\text{C}$ , R.H.  $\leq 60\%$ );

$\Omega$ :  $\pm 0.3\%$  F.S.,  $\pm 2$  dgt (@  $25^{\circ}\text{C} \pm 5^{\circ}\text{C}$ , R.H.  $\leq 60\%$ ).

### **ACCURACY (LDI35.CF: TC TEMPERATURE)**

$\pm 0.3\%$  F.S.,  $\pm 2$  dgt (@  $25^{\circ}\text{C} \pm 5^{\circ}\text{C}$ , R.H.  $\leq 60\%$ ) from  $-50^{\circ}\text{C}$  to the limit of the input range;

$\pm 1\%$  F.S.,  $\pm 2$  dgt (@  $25^{\circ}\text{C} \pm 5^{\circ}\text{C}$ , R.H.  $\leq 60\%$ ) from  $-200^{\circ}\text{C}$  to  $-5^{\circ}\text{C}$  of the input range.

### **TEMPERATURE DRIFT (VOLTAGE AND CURRENT)**

**LDI35.AV0:**  $\pm 200$  ppm/ $^{\circ}\text{C}$ ;

**LDI35.AV2:**  $\pm 200$  ppm/ $^{\circ}\text{C}$ .

**TEMPERATURE DRIFT (LDI35.CF: RTD / TC /  $\Omega$ )**

$\pm 200$  ppm/ $^{\circ}$ C.

**SAMPLING RATE**

**LDI35.AV0:** 4 times/second, dual slope 16 bits A/D converter

**LDI35.AV2:** 2 times/second, dual slope 16 bits A/D converter

**LDI35.CF** temperature measurement: 2 times/second, dual slope 16 bits A/D converter

**DISPLAY**

7-segment LED, h 14.2 mm; 3  $\frac{1}{2}$  digits or 3 digits + dummy zero.

**MAXIMUM INDICATIONS**

**LDI35.AV0:** 3  $\frac{1}{2}$  digit: 1999; 3 + 0 digit: 9990;

**LDI35.AV2:** 3  $\frac{1}{2}$  digit: 1999 (DC/AC); 3 + 0 digit: 9990 (DC/AC);

**LDI35.CF:** temperature: depending on the range and on the type of probe; resistance: 199.9  $\Omega$  (STD) / 1999  $\Omega$  (on request).

**MINIMUM INDICATIONS**

**LDI35.AV0:** 3  $\frac{1}{2}$  digit: -1999; 3 + 0 digit: -1990;

**LDI35.AV2:** 3  $\frac{1}{2}$  digit: -1999 (DC), 0 (AC); 3 + 0 digit: -1990 (DC), 0 (AC).

**LDI35.CF:** temperature: depending on the range and on the type of probe; resistance: 0.

**MEASUREMENT (VOLTAGE / CURRENT)**

**LDI35.AV0:** DC voltage/current.

**LDI35.AV2:** DC voltage/current and AC voltage/current (measurement

of the average value resulting from the sine half-wave rectification of the input voltage/current by RMS calibration).

#### **VOLTAGE / CURRENT INPUTS (LDI35.AV0)**

200 mVDC, range: -199.9 mVDC to 199.9 mVDC

20 VDC, range: -19.99 VDC to 19.99 VDC

200 VDC, range: -199.9 VDC to 199.9 VDC

2 mADC, range: -1.999 mADC to 1.999 mADC

20 mADC, range: -19.99 mADC to 19.99 mADC

Other inputs are available by acting on the scaling parameters.

#### **VOLTAGE / CURRENT INPUTS (LDI35.AV2)**

200 VDC, range: -199.9 VDC to 199.9 VDC

500 VDC, range: -500 VDC to 500 VDC

2 ADC, range: -1.999 ADC to 1.999 ADC

5 ADC, range: -5.00 ADC to 5.00 ADC

200 VAC, range: 0 VAC to 199.9 VAC

500 VAC, range: 0 VAC to 500 VAC

2 AAC, range: 0 AAC to 1.999 AAC

5 AAC, range: 0 AAC to 5.00 AAC

Other inputs are available by acting on the scaling parameters.

#### **FREQUENCY RANGE (VOLTAGE / CURRENT - LDI35.AV2)**

From 40 to 400 Hz (accuracy:  $\pm 0.5\%$  F.S.,  $\pm 2$  dgt @ 25 °C, 400 Hz).

#### **OVER-RANGE (VOLTAGE / CURRENT)**

Continuous: 1.2 Un/In (rated inputs), for 1 second: 2 Un/In.

**INPUTS (RTD TEMPERATURE /  $\Omega$ )**

CFX: RTD, Pt100, range: -200 °C / -328 °F to +850 °C / 1562 °F

CFX: RTD, Ni100, range: -60 °C / -76 °F to +180 °C / 356 °F

CFX:  $\Omega$ , 200.0  $\Omega$ , range: 0  $\Omega$  to 199.9  $\Omega$

CFP: RTD, Pt1000 range: -200 °C / -328 °F to +850 °C / 1562 °F

CFP:  $\Omega$ , 2000 $\Omega$  range: 0  $\Omega$  to 1999  $\Omega$

Other inputs are available by acting on the scaling parameters.

**INPUTS (TC TEMPERATURE)**

CFX/CFP: TC-J, range: -50 °C / -58 °F to +760 °C / +1400 °F

CFX/CFP: TC-L, range: -50 °C / -58 °F to +760 °C / +1400 °F

CFX/CFP: TC-K, range: -200 °C / -328 °F to +1260 °C / +1999 °F

CFX/CFP: TC-S, range: +350 °C / +1750 °C

CFX/CFP: TC-T, range: -200 °C / -328 °F to +400 °C / +752 °F

Other inputs are available by acting on the scaling parameters.

**COMPENSATION (RTD/ $\Omega$ )**

For 3-wire connections, line resistance up to 10  $\Omega$ .

**COMPENSATION (TC)**

Cold junction, within a temperature range from 0 to 50 °C of ambient temperature.

**ALARM SET-POINTS**

0 (standard) 1 (on request).

Alarm type: the alarm is active only for under/over-range, high alarm, low alarm, low alarm with disabling at power-on, high alarm with latch, low

alarm with latch.

Set-point and hysteresis level: programmable from 0 to 100% of the displayed range;

Activation/deactivation time delay: programmable from 0 to 255 seconds;

Relay status: selectable; normally energized/de-energized;

Output contacts: 1 SPDT; rating: 5A, 250VAC/VDC, 40W/1200VA, 130.000 cycles;

min. response time:  $\leq 500$  ms (filter excluded, set-point activation time delay: "0");

Insulation: 2000VRMS between output and measuring inputs; 2000VRMS between output and excitation output.

#### **DIGITAL FILTER**

Operating range: from 0 to 1999 / 9990;

Filtering coefficient: from 1 to 255.

#### **DATA HOLD**

Automatic storage (RAM only) of the maximum value measured from the previous storage reset onwards.

#### **EXCITATION OUTPUT VOLTAGE (on request)**

15 VDC insulated, not stabilized / max. 40 mA.

#### **EXCITATION OUTPUT INSULATION**

100VRMS between output and measuring input

4000VRMS between output and AC power supply input

500VRMS between output and DC power supply input.

**POWER SUPPLY INPUT**

230 VAC -15% +10% 50/60 Hz (standard);

115 VAC -15% +10% 50/60 Hz (on request);

240 VAC -15% +10% 50/60 Hz (on request);

120 VAC -15% +10% 50/60 Hz (on request);

48 VAC -15% +10% 50/60 Hz (on request);

24 VAC -15% +10% 50/60 Hz (on request);

Insulation: 4000 V<sub>RMS</sub> between power supply input and all the other inputs/outputs;

9 to 32 VDC, G.I., max. starting current:  $\leq 1.2A/200$  ms (on request);

40 to 150 VDC, G.I., max. starting current:  $\leq 0.6A/200$  ms (on request);

Insulation: 500 V<sub>RMS</sub> between power supply input and all the other inputs/outputs;

Self-consumption: 6.5 VA.

**OPERATING TEMPERATURE**

From 0 to +50°C (R.H. < 90% non-condensing)

**STORAGE TEMPERATURE**

From -10 to +60°C (R.H. < 90% non-condensing)

**STABILITY OF ACCURACY**

6 months

**REFERENCE VOLTAGE FOR THE INSULATION**

300 V<sub>RMS</sub> to earth



## **DIELECTRIC STRENGTH**

4000 VRMS for 1 minute

## **NOISE REJECTION**

NMRR: 40 dB, from 40 to 60 Hz

CMRR: 100 dB, from 40 to 60 Hz

EMC: IEC 801-2, IEC 801-3, IEC 801-4 (level 3), EN 50081-1, EN 50082-1.

## **IN ACCORDANCE WITH THE FOLLOWING SAFETY STANDARDS**

EN 61010-1, IEC 1010-1, VDE 0411.

## **CONNECTIONS**

Screw-type terminal board.

## **CASE SIZE / DIMENSIONS / MATERIAL**

1/8 DIN / 48 x 96 x 83 mm / ABS, self-extinguishing: UL 94 V-0.

## **WEIGHT**

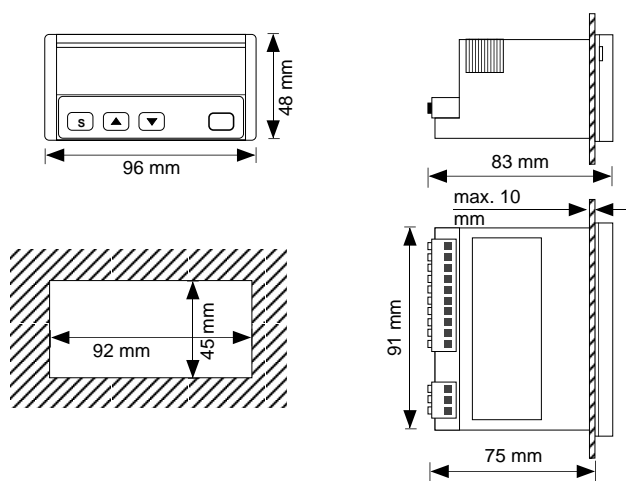
340 g. approximately (packing included).

## **PROTECTION DEGREE**

IP 50 (standard) / IP 65 (on request).

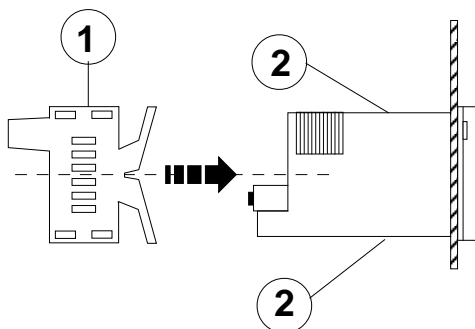
## INSTALLATION

**Overall dimensions and panel cut-out**  
(all quotes are expressed in mm)



### Mounting

Insert the instrument into the panel and fasten it by fixing the two lateral brackets (1) supplied with the instrument to the appropriate location (2).

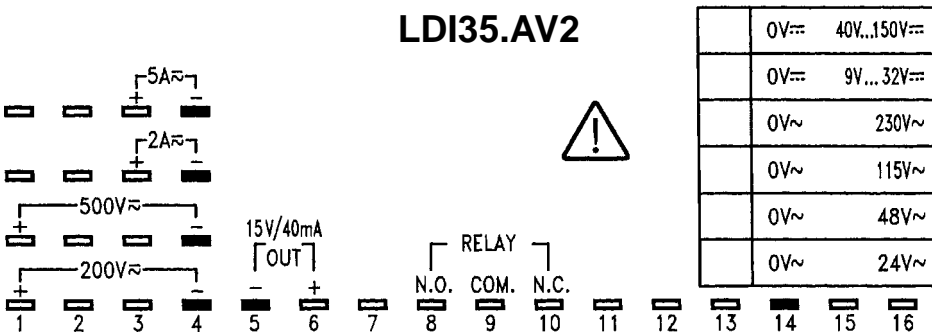
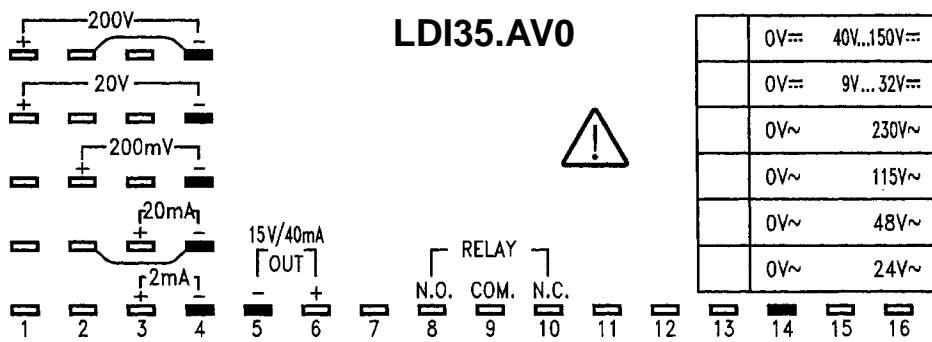


### Connections

In order to select the desired range (LDI35.AV0), jumper, if necessary, between the relevant screw terminals.

Connect LDI35.AV0 (voltmeter or ammeter) as shown in the figure. Attention: the voltmeter input is to be connected in parallel to the source to be measured.

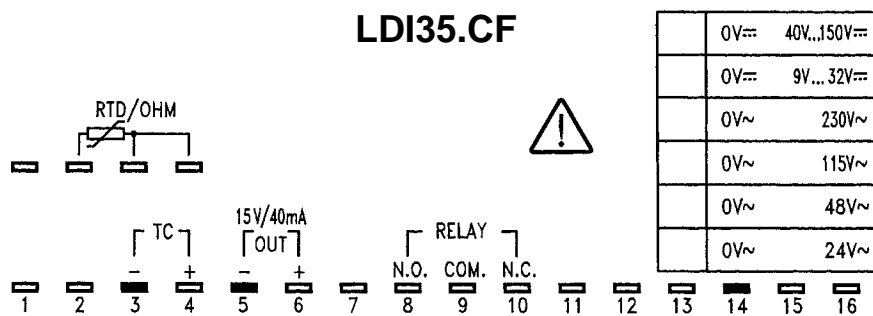
Attention: the ammeter input is to be connected in series to the source to be measured.



**Connection of the signal transmitters (in the models LDI35.AV0 - 20mA):**

- 2 wires: signal to the measuring input; power supply to terminal 6; jumper also terminals 4 and 5; loop impedance 60 to 80 Ω (load 20mA).
- 3 wires: signal to the measuring input; power supply to terminals 5 and 6; jumper also terminals 4 and 5;
- 4 wires: signal to the measuring inputs; power supply to terminals 5 and 6.

Connect LDI35.CF (thermometer) as shown in the figure. For temperature/resistances only: if there are two wires only, jumper terminals 3 and 4.



**PRELIMINARY OPERATIONS**

Before supplying the instrument, make sure that the power supply voltage correspond to what is shown in the label. Example:

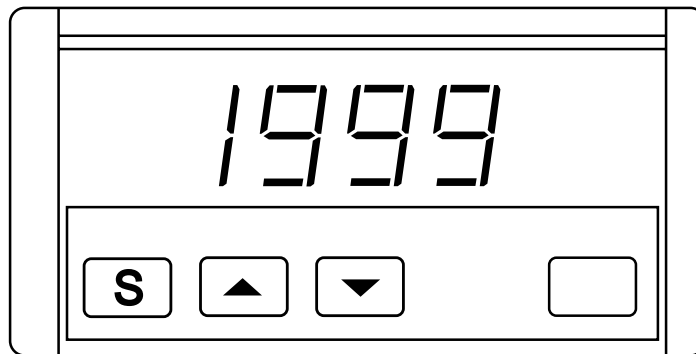
**LDI35.AV0.D.1.XX.XX**

**SER.N.** 970600/20078  
**POWER** 230 VAC 50/60 Hz  
**INPUT** CURRENT / VOLTAGE  
**N. 1** set point

---

**FRONT PANEL DESCRIPTION**

---

**1. Key-pad:**

**functions available outside the programming phase.**

**Key to be pressed:**

- ▼ Displaying of set-point;
- ▲ Displaying of maximum measured value (peak feature);
- ▲ For longer than 5 seconds: reset of the maximum measured value (the display will be blinking);
- ▼ For longer than 5 seconds: reset of activated set-point (only for set-point with latch).

**1. Key-pad:**

**functions available in the programming phase.**

**Key to be pressed:**

- S For longer than 2 seconds: programming phase entry and password confirmation;

- ▲ Menu selection (from the first to the last);
- ▼ Menu selection (from the last to the first);
- S Confirmation and entry:
  - in the configuration menus;
  - in the secondary menus relating to parameters.
- ▲ In the selected menu / secondary menu:
  - increase of displayed value
  - modification of parameter selection;
- ▼ In the selected menu/secondary menu:
  - decrease of displayed value
  - modification of parameter selection.

## 2. Display

Alphanumeric indication by means of 7-segment LEDs:

- of the measured value;
- of the programming parameters;
- of the measuring abnormal conditions.

## 3. Engineering unit window

To insert the interchangeable engineering unit in the special window, proceed as follows: remove the front cover by inserting a suitable screw driver in the special slot on the short sides of the front panel; force gently until the front cover is completely removed. Insert the desired engineering unit by means of a pair of tweezers. Replace

the front cover by inserting it first in the lower part and then in the upper part of the locking system.

---

## OPERATING MODE

---

- **Power-on**

When you switch the unit on, the instrument shows for approximately 5 seconds the instruments's software revision, for example: r.1.

- **Displaying, control (if present) and diagnostics**

The instrument shows continuously the value of the input variable as defined in the programming phase.

The value shown on the display is continuously compared with the value of the set-point and of the other parameters, thus generating the control function by energizing/de-energizing the output relay.

- **Programming**

This phase is identified by the blinking of the decimal point on the right side of the display.

To enter the programming phase, press the  key until "PAS" is shown on the display; then "0" is displayed: the correct numerical code (password) is to be entered. The following conditions may occur:

- 1) the operator hasn't entered any Password: press the  key again to enter the configuration menus of the instrument;

- 2) the operator has already entered a Password: select the correct password by means of the  key (to increase the value) or  key (to decrease it) until the desired value is displayed. Press the  key to confirm the value: if the password is correct, then the display will show "**PAS**" again followed by the relating numerical code; press the  key once more in order to display the first configuration menu; if the password is not correct, the display shows "**End**" and the instrument goes back to the measuring and control phase.

#### PROGRAMMING OF A NEW PASSWORD AND AUTOMATIC SELECTION OF THE PROTECTION LEVEL OF THE CONFIGURATION DATA.

To enter the new Password:

- if the Password is "0", press the  key when the display shows the "**PAS**" message for the second time; enter the desired numerical code using the  or  keys, then confirm it by pressing the  key: the display will show the first configuration menu ("inP");
- if the Password has already been entered, you can modify it following the procedure described at No. 2; after the "**PAS**" message has been shown a second time, enter the new numerical code using the  or  keys and confirm it by pressing the  key: the display will show the first configuration menu ("inP").

Data protection levels:

- if the password is "0", the configuration data are not protected by undesired accesses;



- if the Password is a number between “1 and 255”, the configuration data are entirely protected against undesired accesses;  
It is possible to reset the Password by entering the number 768.

- All programming/configuration steps of LDI35 are shown in the flow chart in the centre of this manual. The flow chart has been conceived to make the operator better understand the programming structure of LDI35 indicating the position of the current function with regards to the others. The flow chart also makes more easily understandable the commands to be used in the configuration phase.

- See the chapter “Front panel description” for information regarding the use of the key-pad and the relevant main functions.

- Glossary of displayed symbol:

(the symbols like **PAS** in a black background belong to the main menu; the symbols like **AC** in a white background belong to the secondary menu).

**PAS** : access key to programming

**inP** : menu to select measuring inputs

For LDI35.AV2 only:

**AC** : AC voltage/current measurements;

**dC** : DC voltage/current measurements.

For LDI35.CF only:

**rtd** : thermoresistance/Ohm measurements;

**tC** : thermocouple measurements

**r1** , **r2** , **r3** , **r4** , **r5** : range selection (see table “inP” in the flow chart).

**SCA** : menu to program the scaling parameters

**Lo.E**: programming of the min. value of the electrical scale (see table “inP” in the flow chart). Enter the minimum value that is to be measured (zero scale).

**Hi.E**: programming of the max. value of the electrical scale (see table “inP” in the flow chart). Enter the maximum value to be measured (full scale).

NOTE: in the resistance measurements (“inP”  $\Rightarrow$  “rtd”  $\Rightarrow$  “r5”) the maximum electrical full scale to be entered is: “1999” and the corresponding value of “Hi” must be “199.9” in order to take resistance measurements with a  $0.1\Omega$  resolution.

NOTE: if the measured variable goes beyond the scale limits “Lo.E”/”Hi.E”, the value displayed during the measuring phase will be blinking and updated with reference to the measured value up to the maximum displaying range (“dC” and temperature measurements: -1999/1999; “AC” and resistance measurements: 0/1999).

**d.P**: selection of the decimal point position in the “Hi-Lo” scale.

**Lo**: programming of the min. value of the displayed scale. Enter the value to be displayed in correspondence with the minimum value of the electrical scale “Lo.E”.

Example: “Lo.E”=4.00 mA  $\Rightarrow$  “Lo”=100 mbar, means that when the value measured by LDI35 is 4 mA, the displayed value will be 100 mbar.

**Hi**: programming of the max. value of the displayed scale. Enter the value to be measured in correspondence with the maximum value of the electrical scale “Hi.E”. Example: “Hi.E”=19.99 mA  $\Rightarrow$  “Hi”=1800 mbar, means that when the value measured by LDI35 is 20 mA, the displayed value will be 1800 mbar.

NOTE: electrical scale and displayed scale must have:

- corresponding values (Lo.E = Lo, Hi.E = Hi), if the same value is to be both measured and displayed.
- different values, if the signal to be measured is different from the one to be displayed (see examples of “Lo” and “Hi”).
- inverted values, if an increasing signal to be measured must correspond to a decreasing value to be displayed (scale inversion).

Example: “Lo.E”=4.00 mA  $\Rightarrow$  “Lo”=1800 mbar; “Hi.E”=19.99 mA  $\Rightarrow$  “Hi”=0 mbar, means that when the measured value increases from 4 to 20mA, the displayed value decreases from 1800 mbar to 0.

As you can see, the scales can be programmed with absolute freedom. NOTE: to display temperature values as “°F”, it is necessary to program the electrical scale as “°C” and enter the values for the displayed scale according to the following relationship:

$$^{\circ}\text{F} = (1.8 \times ^{\circ}\text{C}) + 32.$$

Example: “Lo.E”=-50 °C  $\Rightarrow$  “Lo”=-58 °F; “Hi.E”=+760 °C  $\Rightarrow$  “Hi”=+1400 °F, means that the new measuring range becomes -58 °F to +1400 °F. The data to be entered in the displayed scale can be calculated either by means of the above mentioned “°F” relationship, or using the data of the relevant measuring range (see chapter “Technical Features”, paragraph “Inputs (temperature)”).

**diS** : menu to select the displaying mode.

**35** : displaying at 3 1/2 digit (1999)

**30** : displaying at 3 digit + dummy zero (9990).

**SP.1** : menu to select the programming of the set-point parameters.

**tYP** : selection of the type of control.

**oFF** : signalling of the abnormal condition. The relay is activated when a burn-out condition occurs or the measurement is out of the electrical

range (displaying and blinking of the measured value or displaying of the “EEE”/ “-EE” message).

Note: by selecting this function the “SE.t”, “HYS” parameters are not active.

**do** : down/low alarm set-point. The relay will be activated when the measured value goes below the set-point value.

**uP** : up/high alarm set-point. The relay will be activated when the measured value goes over the set-point value.

**d.do** : alarm set-point similar to “do”, but with alarm inhibition eventually present when LDI35 is switched on. The control starts only after the first condition of non-alarm has been signalled.

**uP.L** : up/high alarm set-point with latch function.

The alarm functions as per “uP”, but the alarm can be reset only manually when the  key is pressed for at least 5 seconds during the measuring phase.

**do.L** : down/low alarm set-point with latch function. The alarm functions as per “do” and can be reset only manually when the  key is pressed for at least 5 seconds during the measuring phase.

**SEt** : value of the alarm set-point to be programmed within the following range:  $Lo. \leq SEt \leq Hi.$

**HYS** : programming of the hysteresis value of the set-point. The hysteresis is a numerical value included within the range:  $0 \leq HYS \leq 1999/9990$  and represents the difference between the value of the ON alarm status and the value of the OFF alarm status. The hysteresis modifies the value of the OFF alarm status not only with regards to the

set alarm value, but also with regards to the alarm type: the hysteresis value is summed to the set value if the alarm type is “do” and subtracted from the set value if the alarm type is “uP”.

Example:

“do” alarm, “SEt”=220 (value of the ON alarm status), hysteresis “HYS”=12 ⇒ resulting OFF value (end of alarm status): 232 (resulting from 220 +12).

“uP” alarm, “SEt”=220 (value of the ON alarm status), hysteresis “HYS”=12 ⇒ resulting OFF value (end of alarm status): 208 (resulting from 220 - 12).

NOTE: the hysteresis is to be programmed according to the displayed range.

**oF.d**: programming of the value, expressed in seconds, of the time delay at the alarm set-point’s deactivation (OFF).

Value to be programmed within the range:  $0 \leq \text{oF.d} \leq 255$ .

This delay can be useful when it is necessary to guarantee the alarm output activation for a sufficiently long time which is to be acquired by the processing system connected downstream LDI35.

**on.d**: programming of the value, expressed in seconds, of the time delay at the alarm set-point’s activation (ON). This value is to be programmed within the range:  $0 \leq \text{on.d} \leq 255$ . This value can be useful when it is necessary to avoid the alarm set-point’s activation if the alarm duration is not long enough. Example: when the pressure of a liquid to be measured decreases very quickly because of air bubbles, but this is not a danger for the monitored plant.

**rLY**: selection of the normal status of the relay coil.

**nd**: normally de-energized coil.

**nE** : normally energized coil.

**FIL** : menu to program the digital filter's parameters.

This function allows you to solve two different kinds of problems:

- stabilize the value of the instantaneous measurement displayed by LDI35 when the value is not enough stable from the beginning and would not therefore allow either a clear reading on the display or a good control by the alarm set-point (if present);
- allow an amplitude of the displayed scale as regards to the electrical one >2.

An example of how the electrical scale is to be used can be the measurement of a process signal from a transmitter: 0 to 20mA, 4 to 20mA, 0 to 10V, 0 to 5V, 1 to 5V and so on, which can correspond to a pressure, humidity, temperature, etc. In this case the measured signal managed by the electrical scale (see "Lo.E", "Hi.E") has a numerical value which is completely different from the one of the displayed scale (see "Lo", "Hi").

**Fi.S** : programming of the activation range of the digital filter. This value is programmable within the range:  $0 \leq \text{Fi.S} \leq 1999/9990$ .

The programmable numerical value represents the fluctuation range of the value which has been measured and displayed by LDI35. In the first configuration phase this value must be 0 and the right value is to be entered only after the verification of the possible fluctuation.

Example: the measured instantaneous value varies from 1204 to 1210, and the value to be entered as "Fi.S" is 6 (1210 - 1204).

**Fi.C** : programming of the value of the filtering coefficient. Value to be programmed within the range:  $1 \leq \text{Fi.C} \leq 255$ .

The higher "Fi.C", the higher the filtering of the measured value and the

longer the updating time of the displayed value and the alarm set-point.  
NOTE: for a correct working of the filter, the relative coefficient must satisfy the following relationship:  $1 \leq \text{Fi.C} \leq (\text{Fi.S} \times 8) \leq 255$ .

Example: in order to display a temperature with a resolution of 0.1 °C, set "Lo.E"=-20 °C  $\Rightarrow$  "Lo"=-20.0 °C, "Hi.E"=200 °C  $\Rightarrow$  "Hi"=199.9 °C. In this case the scale ratio will be 10 times with a clear fluctuation of the value displayed in the measuring phase. In order to stabilize the value it is necessary to enter the parameters "Fi.S" and "Fi.C". The value fluctuates of 0.5°C max., therefore "Fi.S"=0.5 and the filtering coefficient is to be entered making various attempts starting from a minimum value, for example "Fi.C"=3. The datum will not remain stable, therefore "Fi.C" is to be increased; in our case the optimum value is "Fi.C"=15.

**End** : Selection of the exit from the programming phase.

### Diagnostic messages

"EEE" blinking indication: burn-out "up" or overcoming of the displaying range (value to be displayed > 1999/9990).

"-EE" blinking indication: burn-out "down" or overcoming of the displaying range > -1999/1990).

"3 or 4 blinking points" indicate the set-point activation.